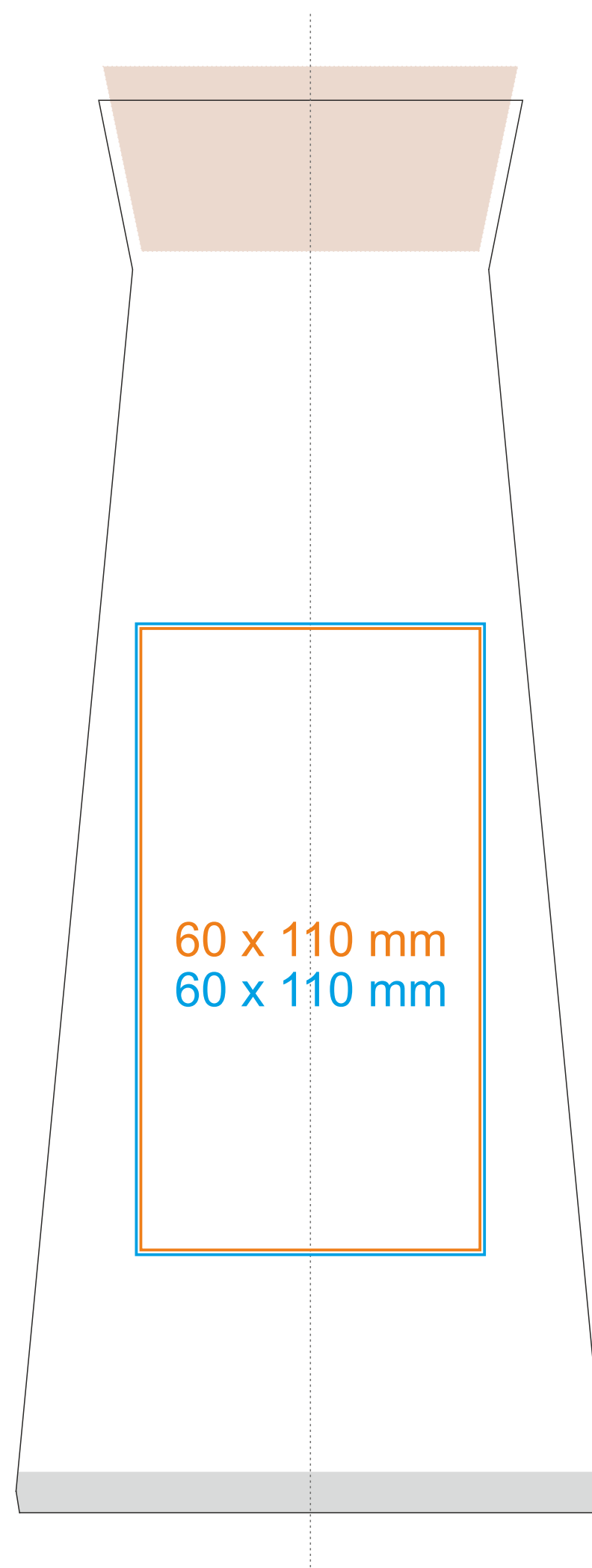
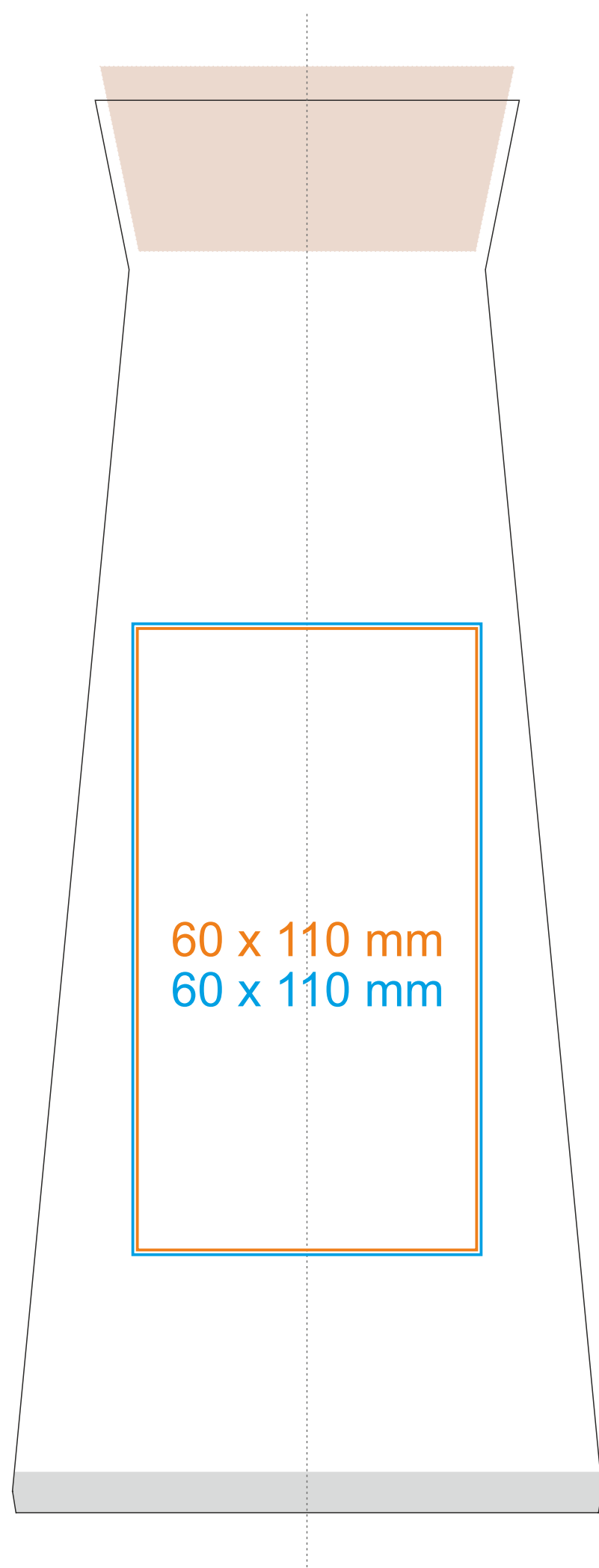


# G\_522 Mia

1000 ml / h: 250 mm / Ø 105 mm



\*In the case of projects for transfer print running outside of the standard print area, please contact our sales department.

[How to prepare print material](#)

meaning

- Transfer Print
- Laser Engraving